

RJ45 St. 0° / RJ45 St. 0°, Gigabit

FRNC/LS0H 4x2xAWG27 shielded rd UL 1m

Ethernet CAT6A

Male straight – male straight

RJ45 – RJ45, 8-pole

shielded

with cable sleeves

Further cable lengths on request.

Plastic housings with good resistance against chemicals and oils.

The resistance to aggressive media should be individually tested for your application. Further details on request.

[Link to Product](#)**Illustration**

Product may differ from Image

Approvals

* only for products with UL/CSA approved cable

More Info

Form

Form 74712

General data

Mounting method inserted

Pollution Degree 3

Temperature range -25...+85 °C, depending on cable quality

Cables

Cable number	578
No./diameter of wires	4 × 2 × AWG27/7
Wire isolation	FRNC (wh, bl, wh, or, wh, gn, wh, br)
Jacket Color	red
Material (jacket)	FRNC
Outer Ø	6.0 mm ±5%
Bend radius (moving)	5 × outer Ø
Temperature range (fixed)	-20...+60 °C
Temperature range (mobile)	0...+50 °C
Material (wire)	Cu wire, bare
Shield	yes

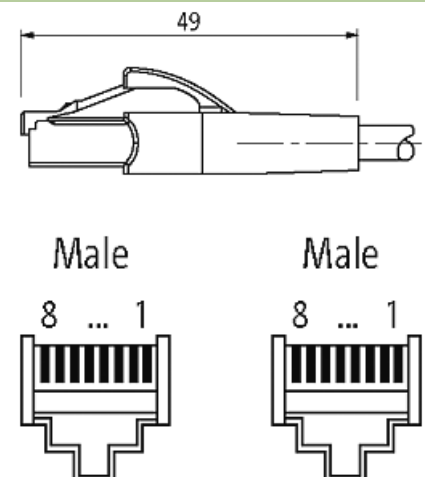
Technical Data

Operating voltage	max. 60 V DC
Operating voltage (only UL listed)	25 V DC
Rated surge voltage	1.0 kV
Operating current per contact	max. 1.76 A (UL: 1.0 A)
Material group	IEC 60664-1, category I
Transfer parameters	CAT6A
Locking of ports	Snap-in connector
Protection	IP20
Locking material	PA
suitable for corrugated tube (internal Ø)	without

Commercial data

country of origin	HU
customs tariff number	85444210
EAN	4048879595605
eClass	27061801
Packaging unit	1

Sketch



Product may differ from Image